

CONSTRUCTION NOTES

GENERAL: UNLESS NOTED OTHERWISE

- THE DRAWINGS SHALL BE READ IN CONJUNCTION WITH ALL OTHER WORKING DRAWINGS AND SPECIFICATIONS AND ANY OTHER WRITTEN INSTRUCTIONS ISSUED DURING CONSTRUCTION. ALL DISCREPANCIES AND VARIATIONS SHALL BE REFERRED TO THE ENGINEER, BEFORE PROCEEDING WITH THE WORK.
- DURING CONSTRUCTION THE STRUCTURE AND ANY ADJACENT STRUCTURE SHALL BE MAINTAINED IN A STABLE CONDITION AND NO PART SHALL BE OVERSTRESSED.
- DIMENSIONS SHALL NOT BE OBTAINED BY SCALING THE DRAWINGS ALL LEVELS AND SETTING OUT DIMENSIONS SHOWN ON THE DRAWINGS SHALL BE CHECKED ON SITE PRIOR TO THE COMMENCEMENT OF THE WORKS.
- THE CONTRACTOR IS RESPONSIBLE TO ESTABLISH THE LOCATION, SIZE AND LEVEL OF ALL EXISTING SERVICES PRIOR TO THE COMMENCEMENT OF WORKS.
- ALL WORKMANSHIP AND MATERIALS TO BE IN ACCORDANCE WITH THE REQUIREMENTS OF RELEVANT AUSTRALIAN STANDARD CODES AND THE REGULATIONS OF THE RELEVANT BUILDING AUTHORITY
- UNLESS REQUESTED AND PRODUCED ON THE PLANS, THE BUILDER IS TO ENSURE THAT ARTICULATION JOINTS ARE SHOWN ON THEIR ARCHITECTURAL DRAWINGS AND BE SATISFIED THAT THEY ARE IN ACCORDANCE WITH RELEVANT AUSTRALIAN STANDARDS AND BUILDING CODES.
- ALL SITE SAFETY MEASURES AND WORK METHOD STATEMENTS PREPARED BY BUILDER/SUB-CONTRACTORS ARE TO BE IMPLEMENTED DURING CONSTRUCTION. NO WORK IS TO COMMENCE UNTIL SUPERVISOR/BUILDER HAS IDENTIFIED AND APPROPRIATELY ACTED ON ANY POTENTIAL HAZARDS.

BUILDER TO ADHERE TO ANY GEOTECHNICAL REPORT RECOMMENDATIONS PREPARED FOR THE SITE.

- REFER TO ARCHITECTURAL PLANS FOR LOCATIONS OF RAINWATER TANK AC, HWS AND LPG UNITS.

CONCRETE

- CONCRETE SPECIFICATION (F'c 28 DAYS) TO BE AS FOLLOWS: ADOPT TYPE 'A' CEMENT WITH MAX AGGREGATE SIZE OF 20mm AND 80mm SLUMP

LOCATION	NORMAL F'c	SALINE AFFECTED F'c
PIERS	20 MPa	32 MPa
SLAB	20 MPa	32 MPa
STRIP FOOTINGS	25 MPa	32 MPa

- CLEAR COVER TO REINFORCEMENT TO BE AS FOLLOWS:

LOCATION	FORMED & SHELTERED	FORMED & EXPOSED	POURED ON GROUND
SLABS & WALLS	20	30	65
BEAMS	25	40	65
COLUMNS	40	50	—
STRIP FOOTING	—	—	65

- REINFORCEMENT SYMBOLS ARE FOLLOWS:

- (N) - HOT ROLLED DEFORMED BARS (400 n)
- (SL) - HARD -DRAWN WIRE REINFORCING FABRIC (450 sl)
- (S) - STRUCTURAL GRADE DEFORMED BARS

- NO HOLES OR CHASES OTHER THAN THOSE SHOWN ON THE STRUCTURAL DRAWINGS ARE TO BE MADE IN CONCRETE MEMBERS WITHOUT PRIOR ENGINEERS APPROVAL.

CONSTRUCTION JOINTS THAT ARE NOT SHOWN SHALL BE LOCATED TO THE APPROVAL OF THE ENGINEER

ALL REINFORCEMENT TO BE ADEQUATELY SUPPORTED IN ITS REQUIRED POSITION AND COVER DURING PLACEMENT OF CONCRETE

PIPES OR CONDUITS SHALL NOT BE PLACED WITHIN THE CONCRETE COVER TO REINFORCEMENT WITHOUT THE APPROVAL OF THE ENGINEER.

ALL CONCRETE TO BE MECHANICALLY VIBRATED AND SHALL BE CAREFULLY WORKED AROUND THE REINFORCEMENT AND INTO THE CORNERS OF FORM WORK

EARTHWORKS

FOOTINGS ARE DESIGNED FOR AN ALLOWABLE BEARING PRESSURE OF 100kPa.

PIER HOLES ARE DESIGNED FOR ALLOWABLE BEARING PRESSURE OF 200kPa.

FOUNDATION MATERIAL SHALL BE APPROVED PRIOR TO CONSTRUCTION

ADDITIONAL CONCRETE PIERS MAY BE REQUIRED UNDER SLAB TO EVEN BEARING IN SOIL AS RECOMMENDED BY AUSTRALIAN STANDARD AS 2870.

ADDITIONAL PIERS IN THE CUT SECTION OF BUILDING PLATFORM MAY ALSO BE REQUIRED TO ACHIEVE THE SAME BEARING AS PIERS IN THE FILL SECTION.

ALL SITE FILLING PLACED BENEATH SLAB TO BE TREATED IN ACCORDANCE WITH CLAUSE 6.4. OF AS 2870.2 - 2011.

A 1 METRE WIDE APRON, WITH 25 CROSS FALL AWAY FROM SLAB EDGE IS TO BE FORMED ALL AROUND THE RAFT SLAB WHERE APPLICABLE

IF THE LOCATION OF THE SLAB IS NEXT TO AN ABOVE OR BELOW ON SITE DETENTION SYSTEM OR BELOW GROUND RAINWATER TANK, THE BUILDER IS TO ADVISE ENGINEER IN ORDER TO ENSURE THAT CONCRETE PIERS ARE TAKEN 500mm BELOW THE INVERT LEVEL OF TANK OR THE FOOTING OF THE SUPPORTING WALL FOR AN ABOVE GROUND DETENTION SYSTEM.

- ⊗ REINFORCED CONC. PIER
- SEWER AFFECTED PIER
- ⊕ SCREW PIER
- UNREINFORCED CONC. PIER
- ♀ ARTICULATION JOINT
- * STARTING POINT

MA
st
A



RAFELETOS ZANUTTINI
Consulting Engineers

ABN: 35 079 047 466 PTY LTD
PO BOX 91 KINGSGROVE NSW 1480 Ph: (02) 9554 9311 Fax: (02)9554 9764
Level 2, 103 VANESSA ST KINGSGROVE NSW 2208 Email: admin@rafzan.com.au



B.E., M.I.E. AUST.



TULLIPAN HOMES PTY LTD
Uc No. 10440
Ph: 02 4352 8644 Safe Tel: 1 Reliance Dr
Fax: 02 4352 9655 Tuggerah Business Park
www.tullipanhomes.com.au Tuggerah NSW 2259
PO Box 5145
CHITKANAR BAY NSW 2261

CONSTRUCTION NOTES

CLIENT J & C MANTILLA
LOCATION LOT 6 PADDOCK CLOSE, ELMORE VALE

CLASSIFICATION	M	DRAWN	V.K	SCALE	1:100	SHEET No.	COVER SHEET
REFERENCE		ISSUE	A	DATE	27/11/14	JOB No.	63312PB

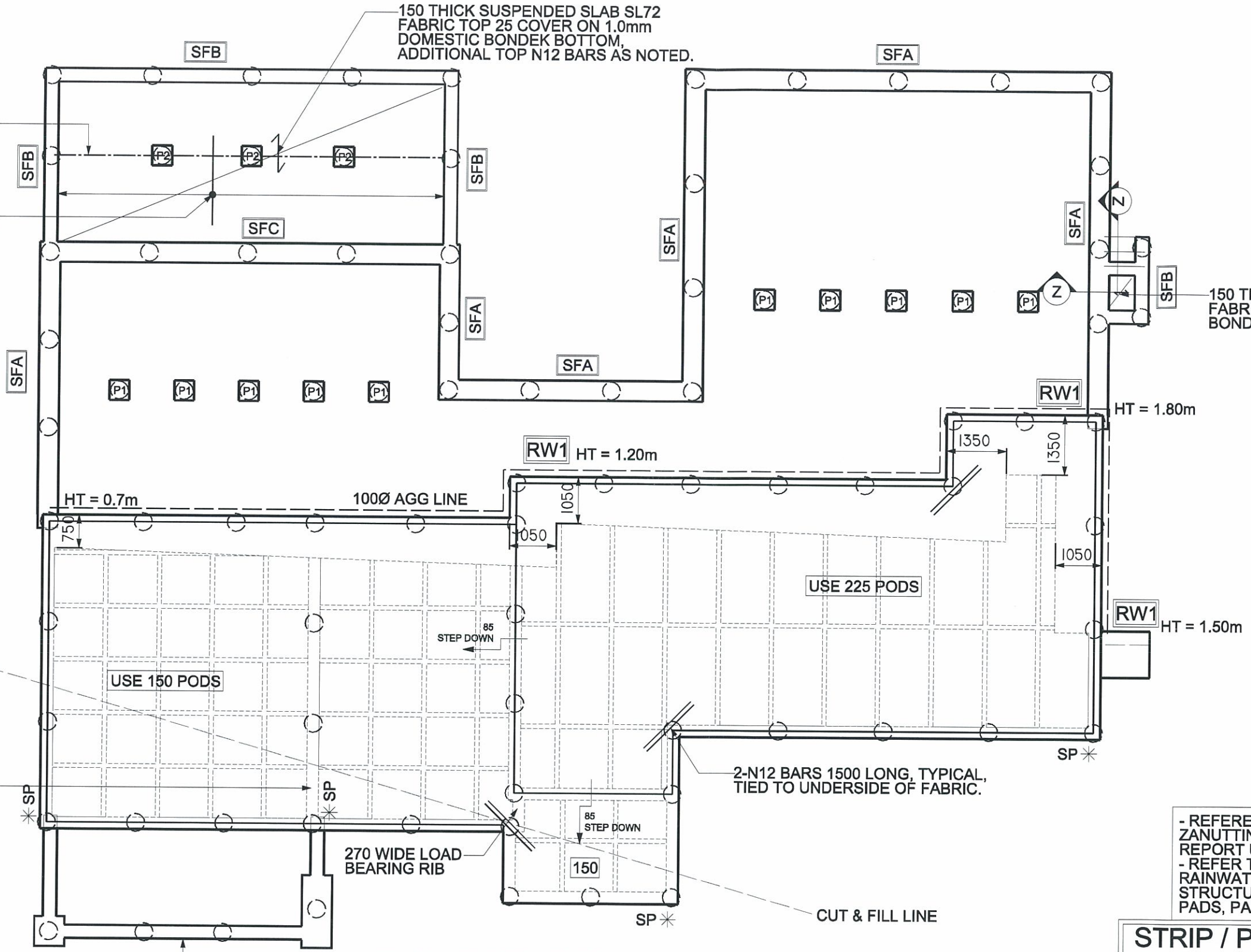
DESIGNED TO AS 2870 - 2011 SLAB AND FOOTING CODE

150 THICK SUSPENDED SLAB SL72
FABRIC TOP 25 COVER ON 1.0mm
DOMESTIC BONDEK BOTTOM,
ADDITIONAL TOP N12 BARS AS NOTED.

170 x 110 PRE-CAST
CONCRETE LINTEL

ADDITIONAL
N12 AT 400 CTS
TOP 2000 LONG

150 THICK SUSPENDED SLAB SL72
FABRIC TOP 25 COVER ON DOMESTIC
BONDEK BOTTOM.



MAK
str

INTERNAL LOAD BEARING RIB,
WIDEN TO 300mm. REFER TO
PAGE 2 FOR ADDITIONAL TOP
& BTM REINFORCEMENT.

STRIP FOOTING 300 WIDE 400
DEEP 3L-11 TM TOP & BTM
R6 TIES @ 900 CTS WIDEN
FOOTING AS REQUIRED
UNDER COLUMN, 100mm
PAST FACE OF BRICKWORK.

2-N12 BARS 1500 LONG, TYPICAL,
TIED TO UNDERSIDE OF FABRIC.

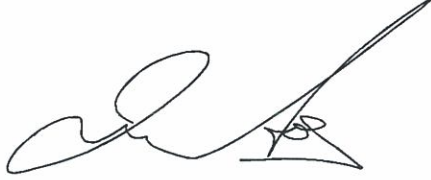
BONDEK SLAB
* CONC F'c = 32 MPa
* 170 THICK SUSPENDED BONDEK SLAB
* SLAB SL72 FABRIC TOP 25 COVER
* 1.0mm DOMESTIC BONDEK BTM
← - DENOTES BONDEK DIRECTION

- REFERENCE HAS BEEN MADE TO RAFELETOS
ZANUTTINI'S BOREHOLE & SOIL CLASSIFICATION
REPORT UNDERTAKEN FOR THE PROPERTY.
- REFER TO ARCHITECTURAL'S FOR LOCATIONS OF
RAINWATER TANK, AC, HWS & LPG UNITS. REFER TO
STRUCTURAL ENGINEER'S DETAILS FOR SIZE OF
PADS, PAD REINFORCEMENT & PIER REQUIREMENTS.

STRIP / PAD FOOTING PLAN
* CONC F'c= 25MPa
* ALL FOOTINGS TO BE FOUNDED ON ROCK
* 400mm Dia CONC PIERS AS SHOWN WILL BE REQUIRED IF
FOOTINGS ARE NOT FOUND ON ROCK.
* PIERS ARE TO BE PLACED UNDER ALL LOAD
BEARING INTERNAL AND EXTERNAL BEAMS AND
PADS AS SHOWN.



Rafeletos Zanuttini
Consulting Engineers
ABN: 35 079 047 466
PTY LTD
PO BOX 91 KINGSGROVE NSW 1480
Level 2, 103 VANESSA ST KINGSGROVE NSW 2208
Ph: (02) 9554 9311 Fax: (02) 9554 9764
Email: admin@rafzan.com.au



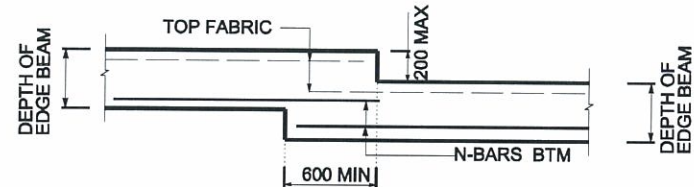
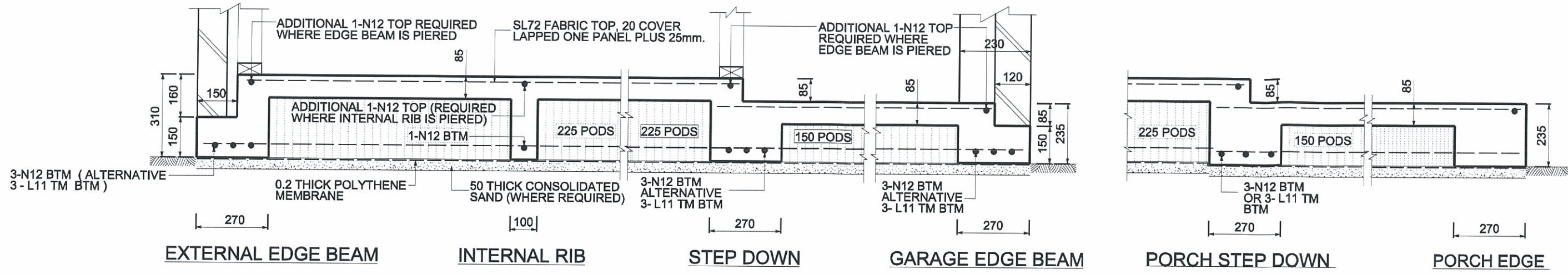
B.E., M.I.E. AUST.



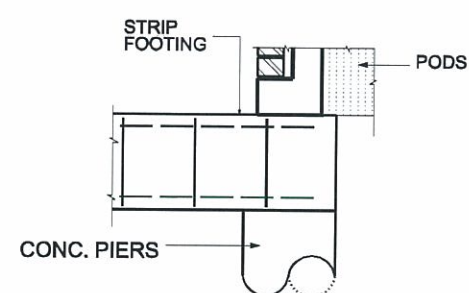
TULLIPAN
HOMES PTY LTD
Lic. No. 01440
Ph: 02 4353 8544
Fax: 02 4353 8555
Suite 10, 1 Redwood Dr
Tuggerah Business Park
Tuggerah NSW 2259
www.tullipanhomes.com.au
P.O. Box 5148
DURHAM BAY NSW 2251

STRUCTURAL SLAB DETAIL PLAN

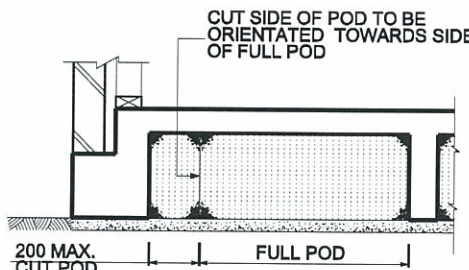
CLIENT	J & C MANTILLA					A3
LOCATION	LOT 6 PADDOCK CLOSE, ELMORE VALE					
CLASSIFICATION	M	DRAWN	V.K	SCALE	1:100	SHEET No. 1
REFERENCE		ISSUE	A	DATE	27/11/14	JOB No. 63312PB



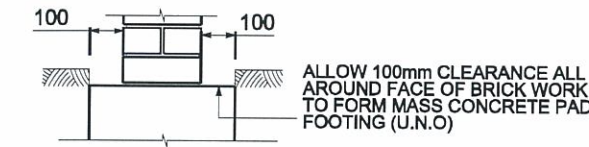
EXTERNAL BEAM STEP DWN. DETAIL
NOTE: STEP TO OCCUR ON TOP OF PIER



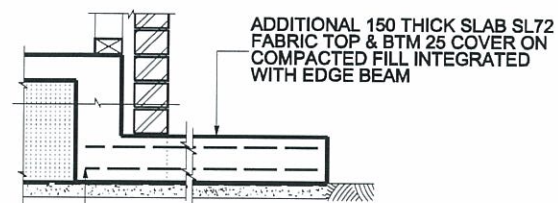
STRIP FOOTING CONNECTION



POD EXTENSION DETAIL

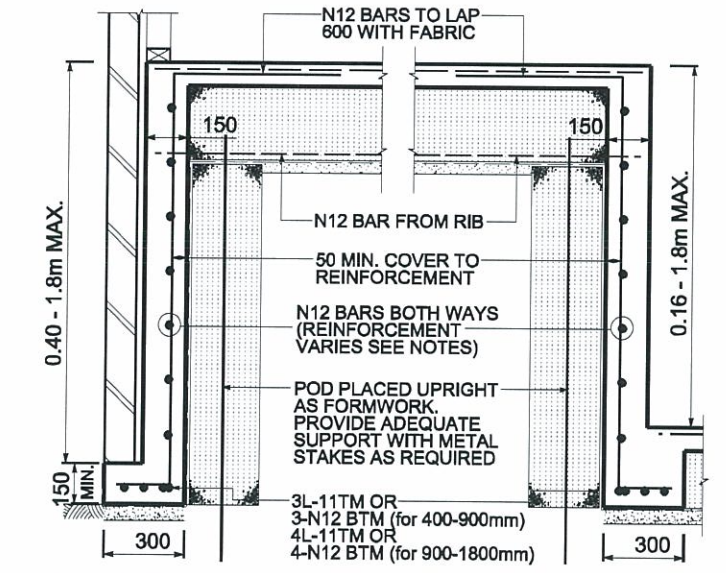


TYPICAL MASS CONCRETE PAD CONSTRUCTION



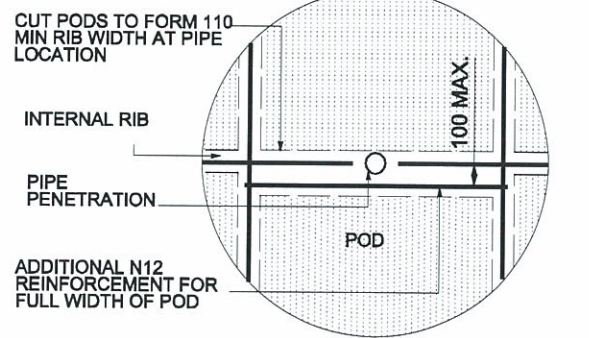
PAD DETAIL

- FOR RAINWATER TANK, LPG & A/C UNITS ETC. REFER TO ARCHITECTURAL PLANS FOR LOCATIONS.
- SPACE PIERS AS REQUIRED TO SUIT PAD SIZE:
- 600 MAXIMUM TO EDGE OF SLAB FOR PERIMETER PIERS.
- 1200 MAXIMUM CENTRES IF ADDITIONAL INTERNAL PIERS ARE REQUIRED FOR PAD SIZE.

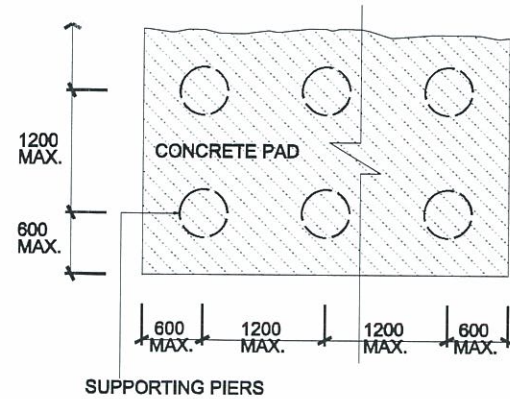


EXTERNAL DEEP BEAM INTERNAL DEEP BEAM

DEEP BEAM DEPTH	BEAM REINFORCEMENT
160 - 400mm	N12 BARS AT 1200 CENTRES & 1-N12 HORIZONTAL
400 - 900mm	N12 BARS AT 600 CENTRES & 1-N12 CENTRALLY
900 - 1500mm	N12 BARS AT 300 CENTRES BOTH WAYS
1500 - 1800mm	N12 BARS AT 200 CENTRES BOTH WAYS



PIPE PENETRATION THROUGH RIB



SUPPORTING PIERS

AT ALL EXTERNAL BEAM CORNER LOCATIONS: (TOP & BTM)
 PROVIDE ADDITIONAL 1200 LONG BENT CORNER LAP BARS AROUND CORNER WHERE BOTTOM N12 EDGE BEAM REINFORCEMENT IS DISCONTINUOUS.
 OR
 BEND BOTTOM N12 EDGE BEAM REINFORCEMENT AROUND CORNER TO PROVIDE 600 MINIMUM LAP.
 EXTERNAL LOAD BEARING BEAM AND PIERS.
 INTERNAL RIB BEAM PIERS.
 WHERE INTERNAL RIB BEAMS OR CONCRETE PADS ARE PIERED, THEN ADDITIONAL 1-N12 TOP BAR ALONG THE RIB IS REQUIRED IN ONE DIRECTION ONLY AND IS TO BEGIN FROM THE EXTERNAL EDGE BEAM AND EXTEND 2000 BEYOND LAST PIER.

PROVIDE 400 DIA. CONCRETE PIERS TO CLAY AND SAND, OR 300 DIA. TO ROCK OR SHALE.
 SPACE PIERS AT 2400 CTS AS SHOWN ALONG EXTERNAL EDGE BEAM, UNLESS NOTED OTHERWISE
 PIERS REQUIRED UNDER INTERNAL RIB BEAMS WHEN CONSTRUCTED ON MORE THAN 300mm OF UNCONTROLLED/NON-COMPACTED MATERIAL, OR AS SHOWN.
 N12 BARS CAN BE REPLACED WITH 10.65mm HDW (450MPa STRESS GRADE)

REINFORCEMENT FOR RIBS AND BEAMS

WIDTH	TOP STEEL	BTM STEEL
271-330	1-N12	3-N12
331-440	2-N12	4-N12
441-550	3-N12	5-N12
551-660	4-N12	6-N12

Rafeletos Zanuttini
 Consulting Engineers
 ABN: 35 079 047 466 PTY LTD
 PO BOX 91 KINGSGROVE NSW 1480 Ph: (02) 9554 9311 Fax: (02)9554 9764
 Level 2, 103 VANESSA ST KINGSGROVE NSW 2208 Email: admin@rafzan.com.au

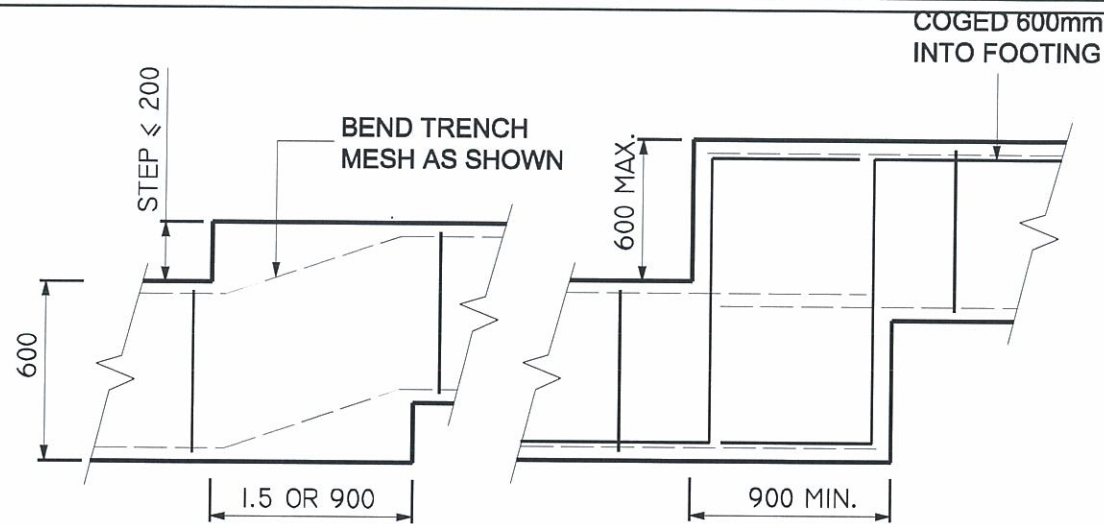
[Signature]
 B.E., M.I.E. AUST.

TULLIPAN HOMES PTY LTD
 Ph: 02 4353 8644 Suite B, 1 Refuse Dr
 Fax: 02 4353 8655 Tuggerah Business Park
 www.tullipanhomes.com.au PO Box 548
 TUGGERAH NSW 2251

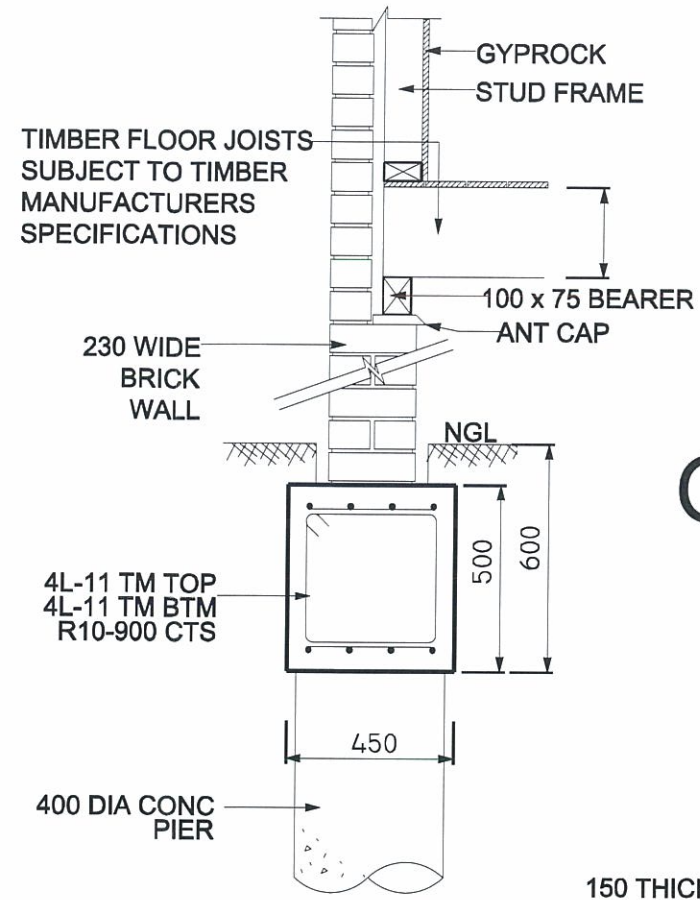
225.72.3.N 225.150.86.3 225.150.86.3

STRUCTURAL DETAIL PLAN

CLIENT	J & C MANTILLA				
LOCATION	LOT 6 PADDOCK CLOSE, ELMORE VALE				
CLASSIFICATION	M	SCALE	NTS.	SHEET No.	2
ISSUE	A	DATE	27/11/14	JOB No.	63312PB

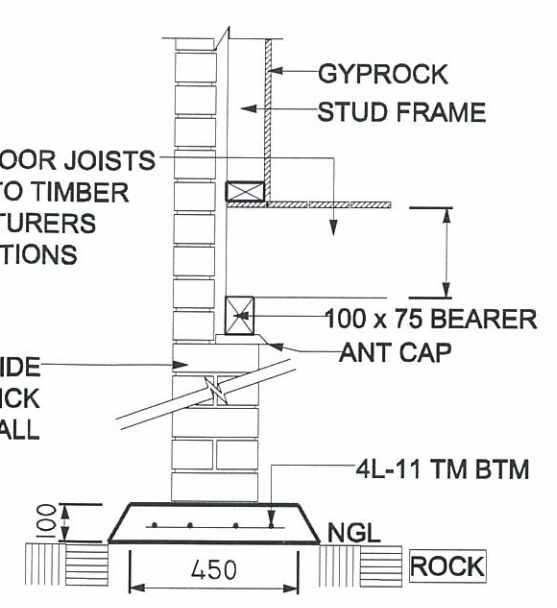


0 - 200mm STEP 200 - 600mm STEP
STEP FOOTING AT PIERS ONLY



OR

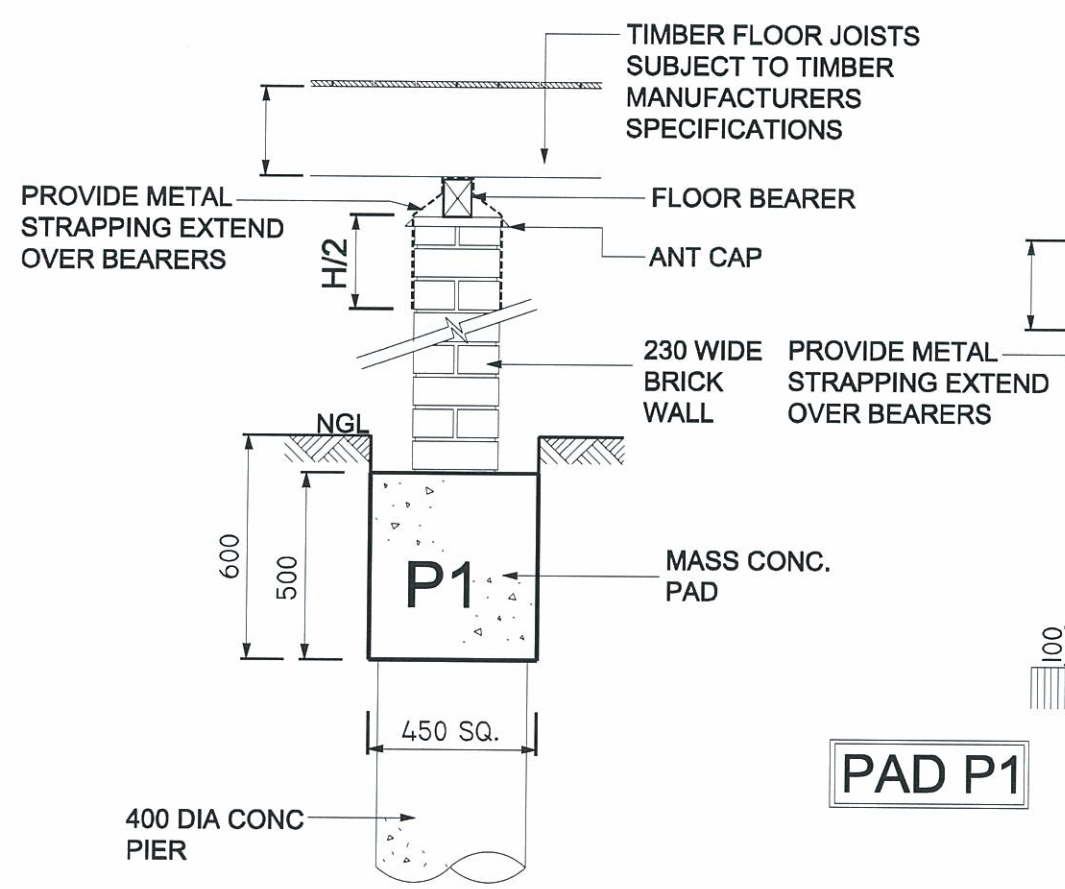
SFA



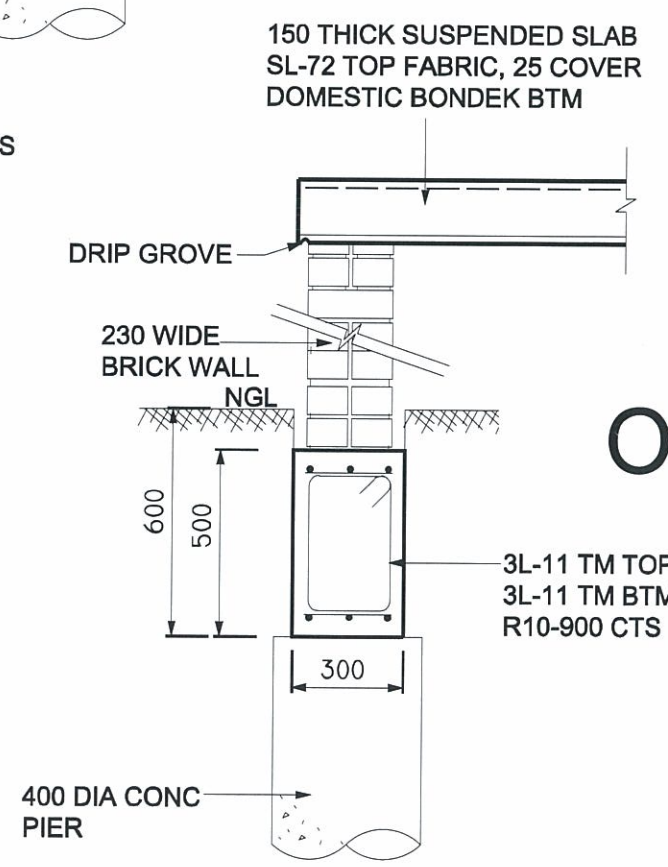
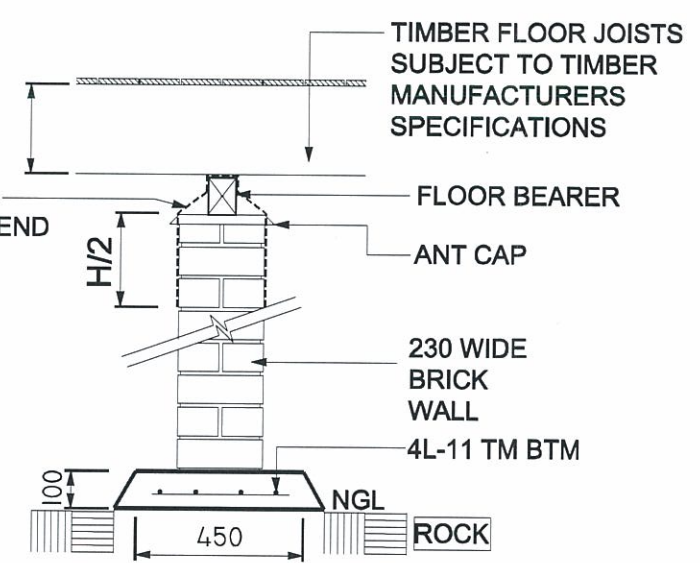
MA

etc

700



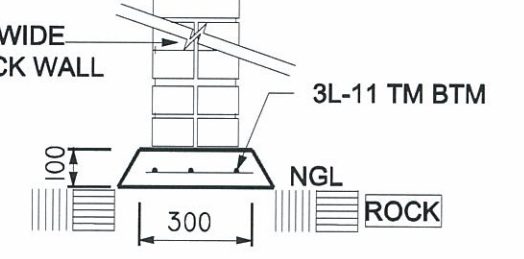
PAD P1



OR

SFB

150 THICK SUSPENDED SLAB
 SL-72 TOP FABRIC, 25 COVER
 DOMESTIC BONDEK BTM



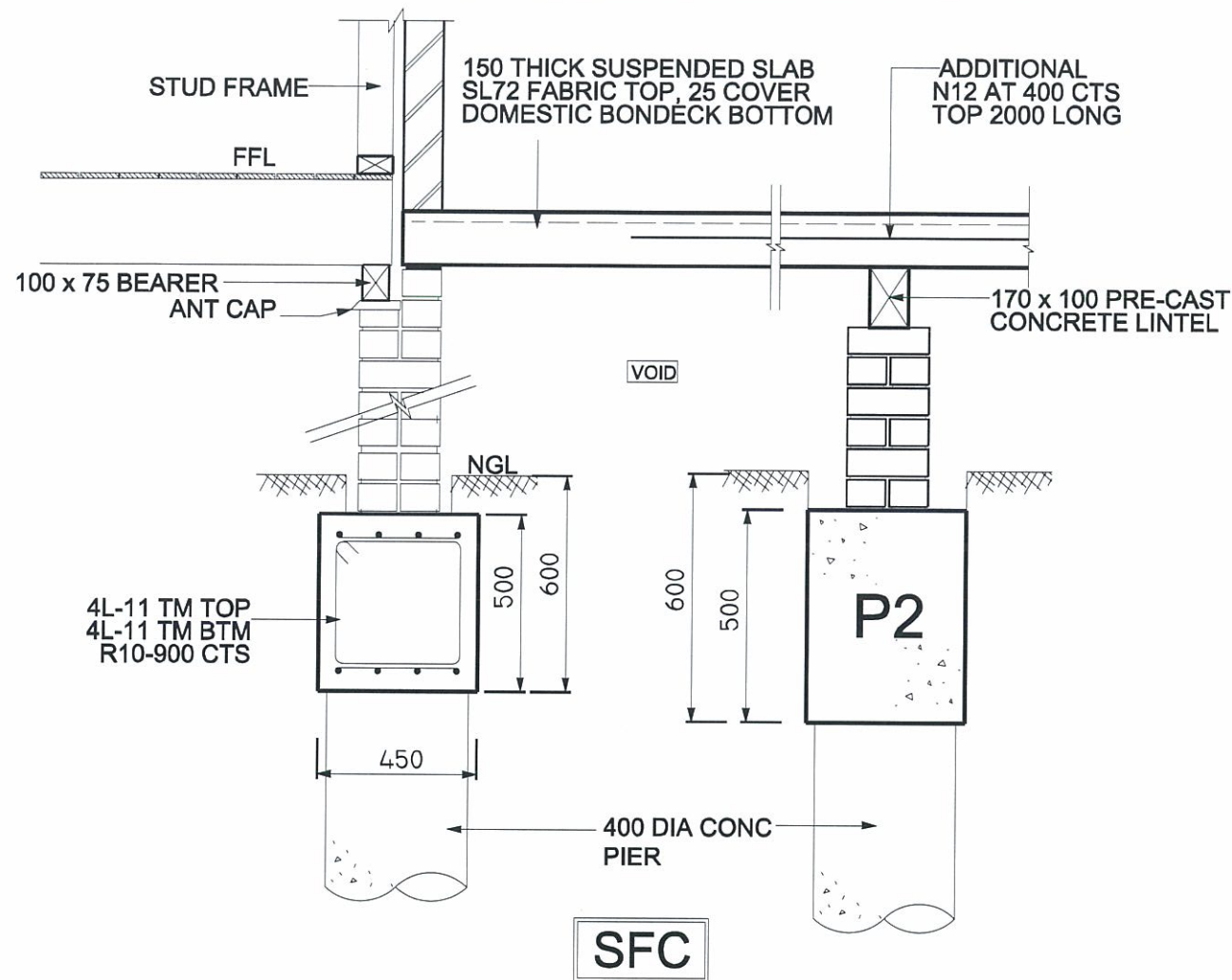
RAFELETOS ZANUTTINI
 Consulting Engineers
 ABN: 35 079 047 466 PTY LTD
 PO BOX 91 KINGSGROVE NSW 1480 Ph: (02) 9554 9311 Fax: (02)9554 9784
 Level 2, 103 VANESSA ST KINGSGROVE NSW 2208 Email: admin@rafzan.com.au

[Signature]
 B.E., M.I.E. AUST.

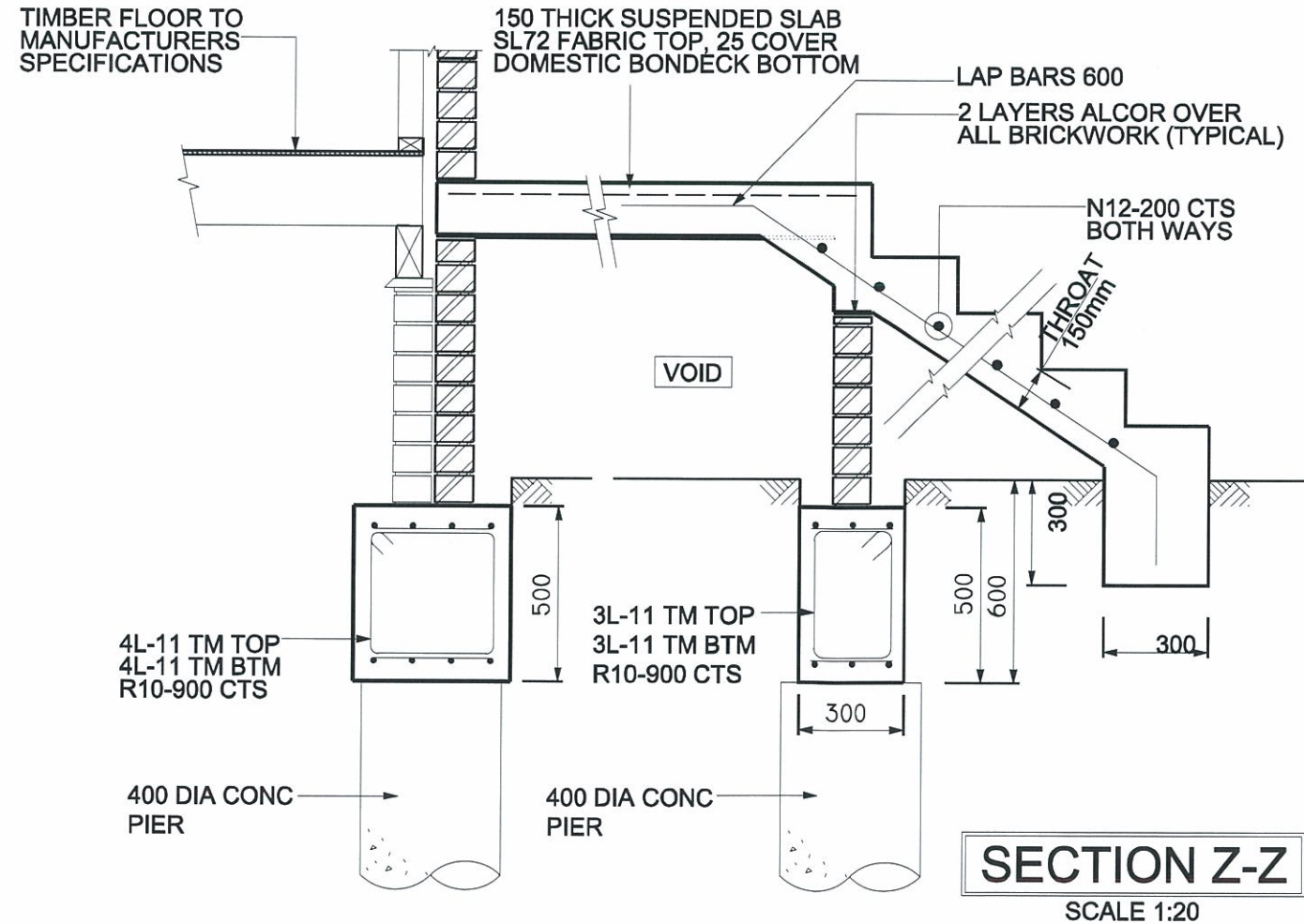
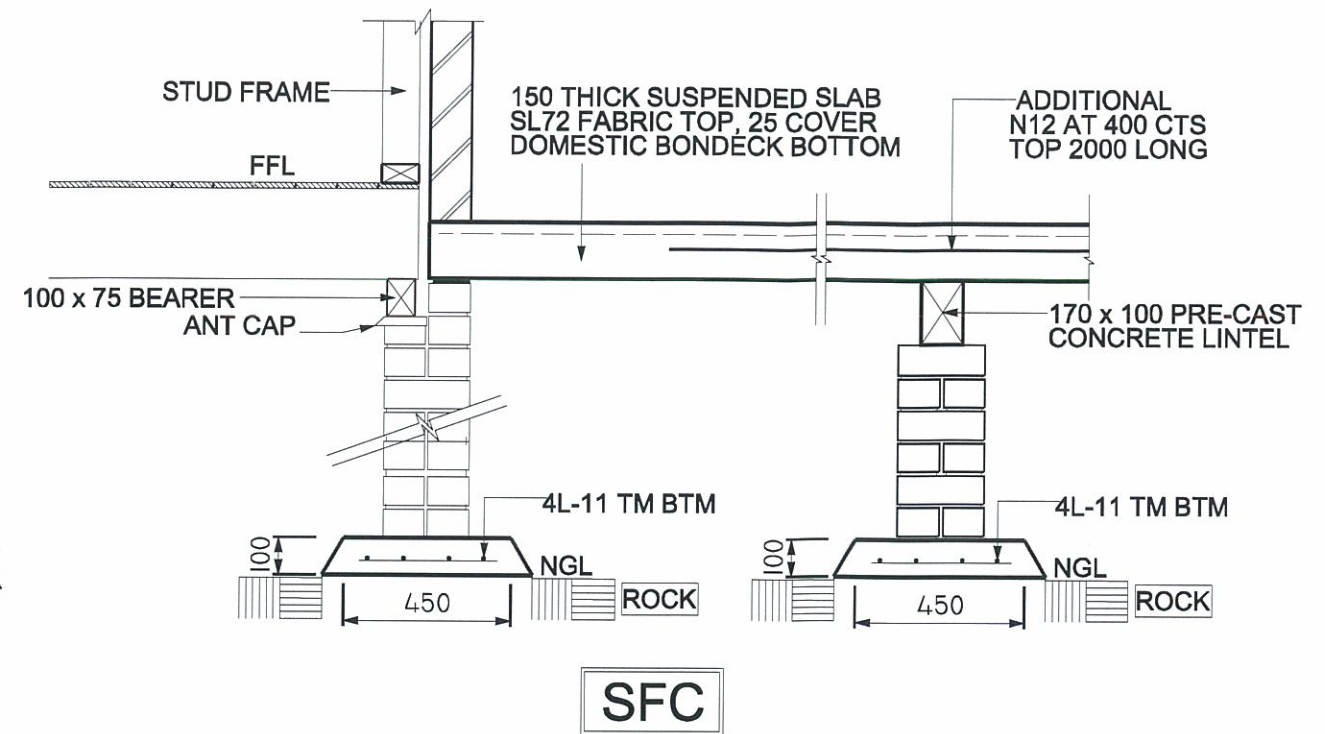
TULLIPAN HOMES PTY LTD
 Lic. No. 12446C
 Ph: 02 4353 8844 Suite 10, 1 Pakenham Dr
 Fax: 02 4353 9850 Tuggerah Business Park
 www.tullipanhomes.com.au Tuggerah NSW 2259
 PO Box 5148 2251

STRUCTURAL SLAB DETAIL PLAN

CLIENT	J & C MANTILLA			A3
LOCATION	LOT 6 PADDOCK CLOSE, ELERMORE VALE			
DRAWN	V.K	SCALE	1:100	SHEET No. 3
REFERENCE	ISSUE	DATE	27/11/14	JOB No. 63312PB



OR



MA
sk
AS



RAFELETOS ZANUTTINI
Consulting Engineers

ABN: 35 079 047 466 PTY LTD
PO BOX 91 KINGSGROVE NSW 1480 Ph: (02) 9554 9311 Fax: (02)9554 9764
Level 2, 103 VANESSA ST KINGSGROVE NSW 2208 Email: admin@rafzan.com.au

[Signature]

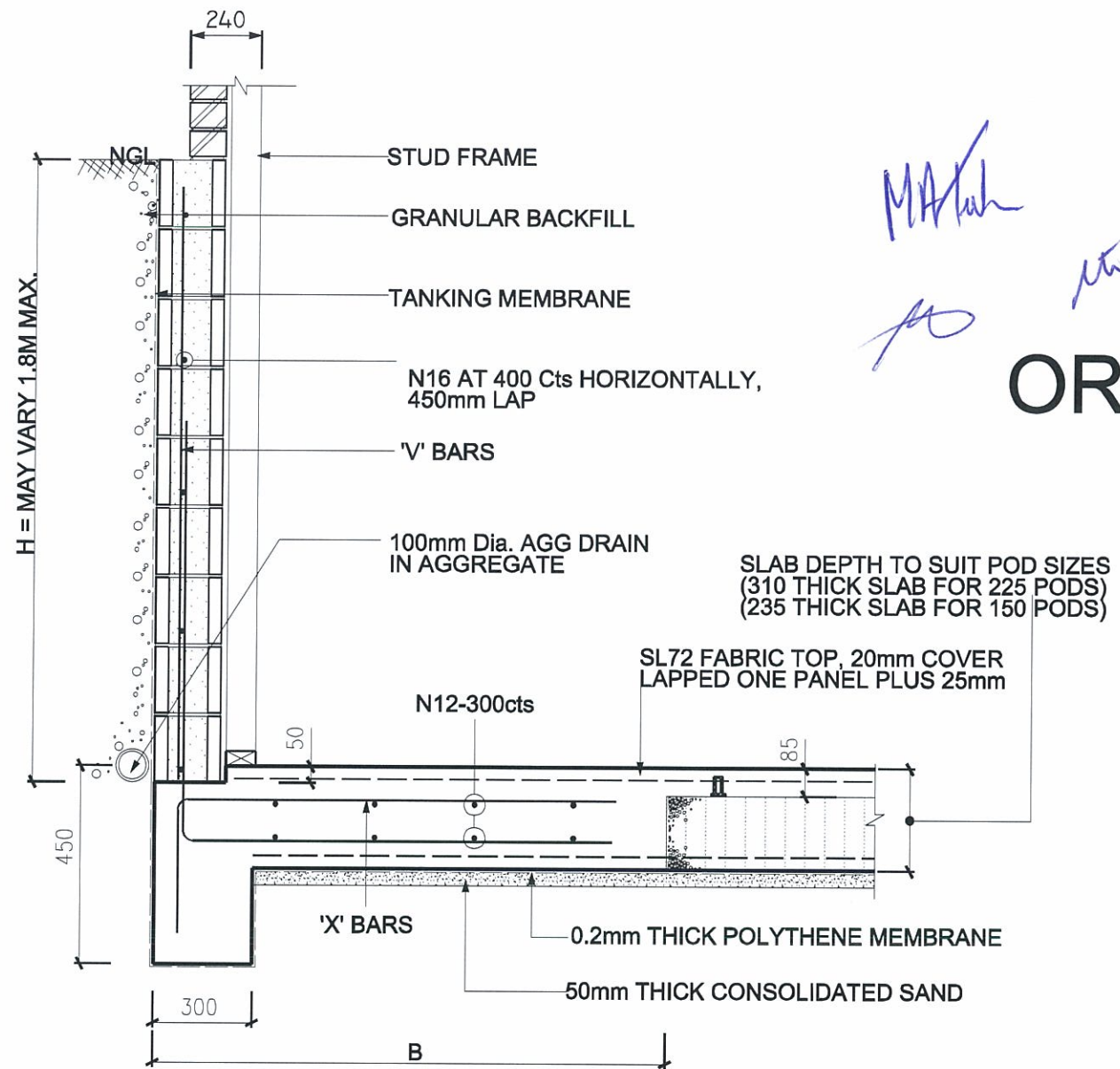
B.E., M.I.E. AUST.



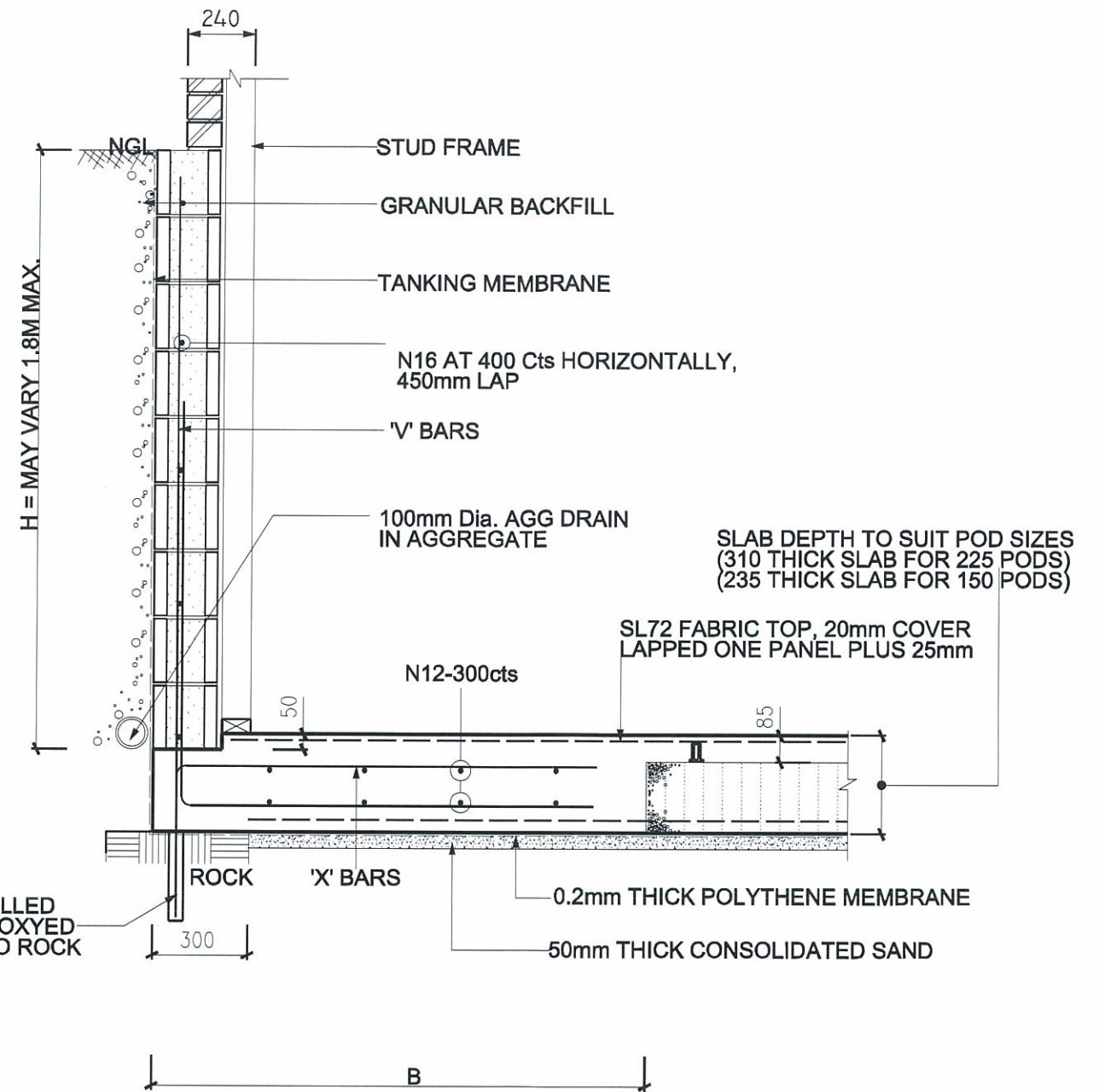
REFERENCE

STRUCTURAL SLAB DETAIL PLAN

CLIENT	J & C MANTILLA			A3
LOCATION	LOT 6 PADDOCK CLOSE, ELMORE VALE			
DRAWN	V.K	SCALE	1:100	SHEET No. 4
ISSUE	A	DATE	27/11/14	JOB No. 63312PB



M.A. / J.O.
OR



RW1

BLOCK RETAINING WALL 1.0m - 1.8m MAX

RW1

NOTES

- CONCRETE FOOTING F'c = 20 MPa.
- MORTAR 1:4 (CEMENT TO SAND).
- GROUT F'c = 15 MPa.
- MAXIMUM AGGREGATE SIZE 10mm.

H	B	'V' BARS	'X' BARS	BAR LAP
1000	750	N16-400 CTS	N16-400 CTS	500
1400	1050	N16-400 CTS	N16-400 CTS	500
1800	1350	N16-400 CTS	N16-400 CTS	500

RAFELETOS ZANUTTINI
Consulting Engineers

ABN: 35 079 047 466 PTY LTD
PO BOX 91 KINGSGROVE NSW 1480 Ph: (02) 9554 9311 Fax: (02)9554 9764
Level 2, 103 VANESSA ST KINGSGROVE NSW 2208 Email: admin@rafzan.com.au

B.E.,M.I.E. AUST.

TULLIPAN HOMES PTY LTD

Lic. No. 124482
Ph: 02 4333 8244 Suite 10, 1 Redwood Dr
Fax: 02 4333 8655 Tuggerah Business Park
Tuggerah NSW 2259
www.tullipanhomes.com.au PO Box 2148
www.spsirehomes.com.au Cnr Tuggerah Way NSW 2281

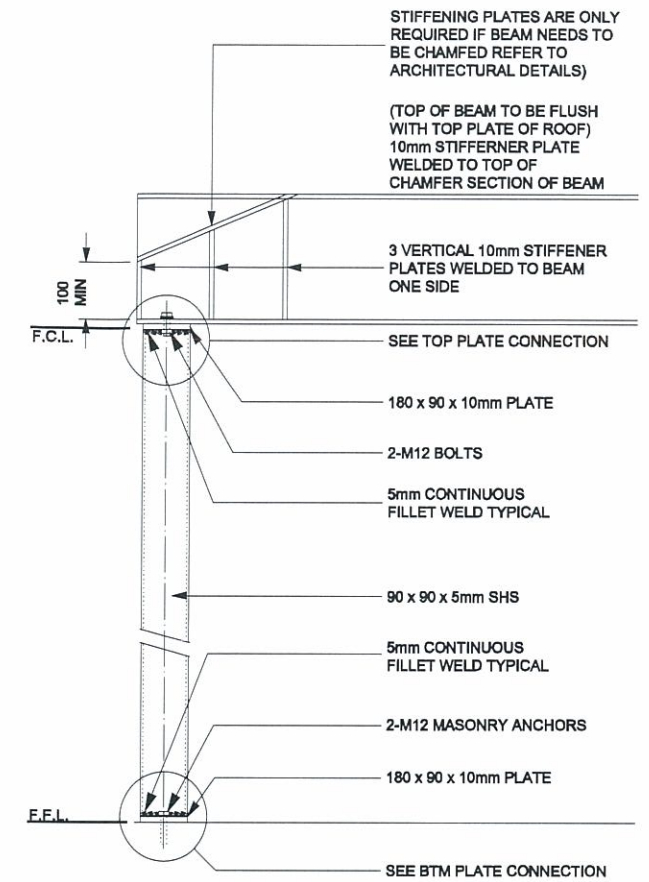
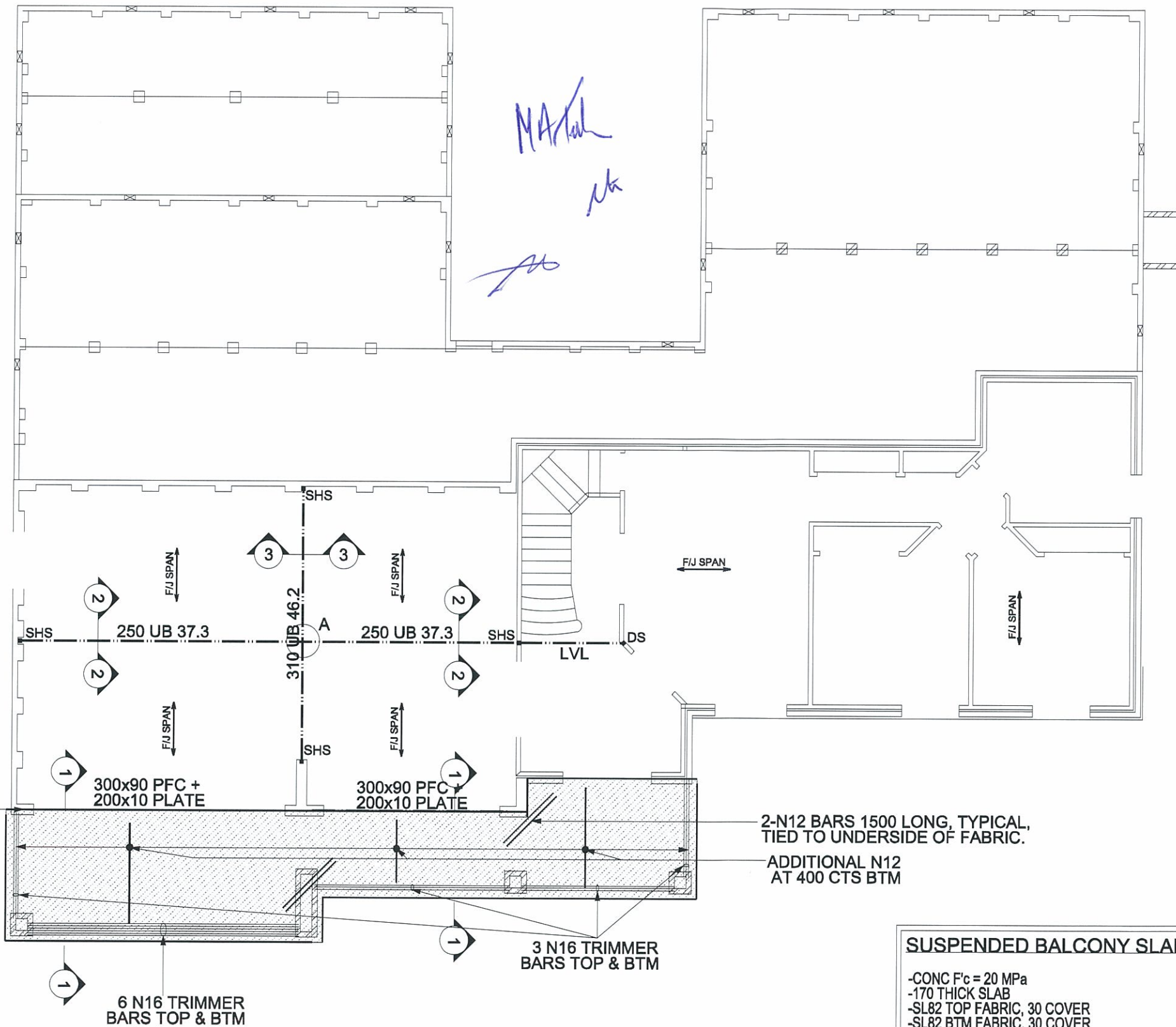
REFERENCE

STRUCTURAL SLAB DETAIL PLAN

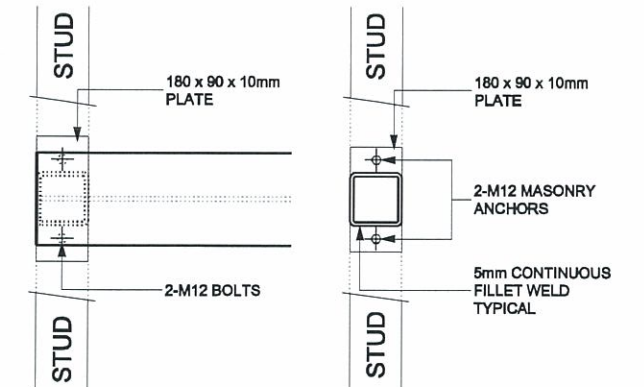
CLIENT J & C MANTILLA
LOCATION LOT 6 PADDOCK CLOSE, ELMORE VALE

A3

DRAWN	V.K	SCALE	1:100	SHEET No.	5
ISSUE	A	DATE	27/11/14	JOB No.	63312PB



TYPICAL SECTION FOR 90 x 90 x 5 SHS



TOP PLATE CONNECTION

BTM PLATE CONNECTION

NOTE:

- ALL STEELWORK TO BE PAINTED WITH AN APPROVED CORROSIVE RESISTANT PRIMER.
- NOTE: IF BUILDING IS LOCATED WITHIN 1.0 KM OF SEVERE MARINE CONDITIONS, ENGINEER IS TO BE NOTIFIED, AND STEEL BEAMS ARE TO BE GALVANISED & ALL BRICKWORK COMPONENTS TO BE IN ACCORDANCE WITH AS3700-2011 MASONRY CODE - SECTION 5
- SHS: DENOTES SQUARE HOLLOW SECTION OR STEEL POST. ALL POST TO BE 76 x 76 x 4mm SHS, BUILD POST INTO STUD FRAMEWORK
- DS: DENOTES 1/90 x 90 HARDWOOD STUDS OR 2/90 x 45 HARDWOOD STUDS.
- ASHS: DENOTES ADJUSTABLE SQUARE HOLLOW SECTION STEEL POSTS.
- TS: DENOTES 3/90 x 45 HARDWOOD STUDS.

SUSPENDED BALCONY SLAB

- CONC F_c = 20 MPa
- 170 THICK SLAB
- SL82 TOP FABRIC, 30 COVER
- SL82 BTM FABRIC, 30 COVER
- ADDITIONAL N BARS AS NOTED

RAFELETOS ZANUTTINI
Consulting Engineers

ABN: 35 079 047 466 PTY LTD
Ph: (02) 9554 9311 Fax: (02)9554 9764
Email: admin@rafzan.com.au

PO BOX 91 KINGSGROVE NSW 1480
Level 2, 103 VANESSA ST KINGSGROVE NSW 2208

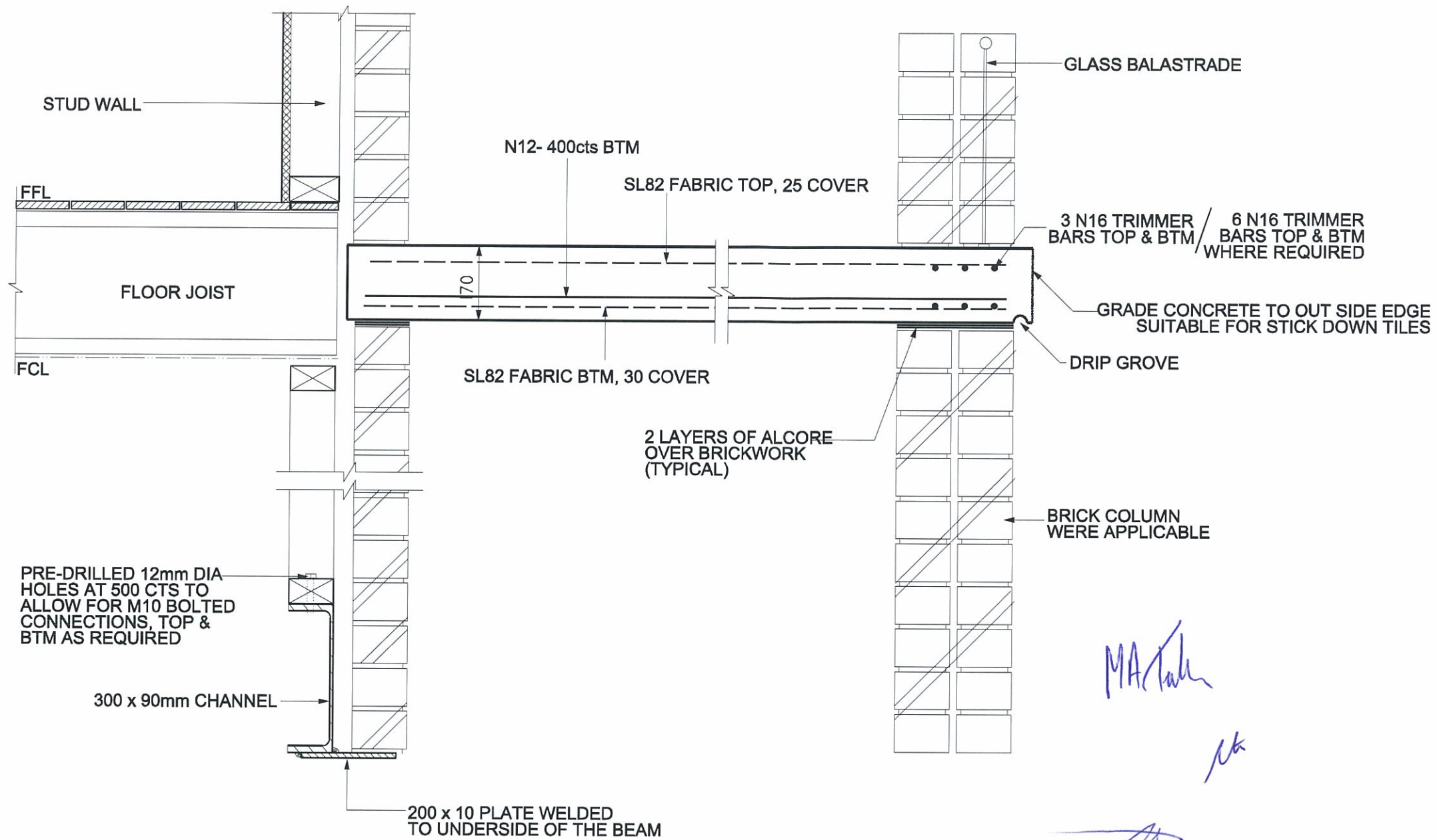
B.E., M.I.E. AUST.

TULLIPAN HOMES PTY LTD

Lic. No. 014482
Ph: 02 4553 8844 Suite 10, 1 Rafflesia Dr
Fax: 02 4553 8655 Tuggerah Business Park
Tuggerah NSW 2259
www.tullipanhomes.com.au PO Box 2148
Spartan NSW 2261

STRUCTURAL STEEL BEAM/SUSPENDED BALCONY SLAB PLAN

CLIENT	J & C MANTILLA			A3
LOCATION	LOT 6 PADDOCK CLOSE, ELERMORE VALE			
DRAWN	V.K	SCALE	1:100	SHEET No. 6
ISSUE	A	DATE	27/11/14	JOB No. 63312PB



SECTION 1-1
SCALE 1:10



RAFELETOS ZANUTTINI
Consulting Engineers

ABN: 35 079 047 466 PTY LTD
PO BOX 91 KINGSGROVE NSW 1480 Ph: (02) 9554 9311 Fax: (02)9554 9764
Level 2, 103 VANESSA ST KINGSGROVE NSW 2208 Email: admin@rafzan.com.au

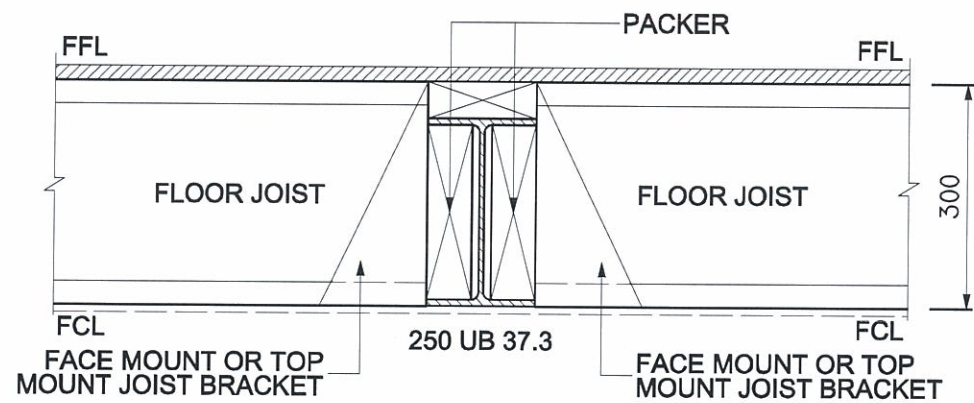
B.E., M.I.E. AUST.



REFERENCE

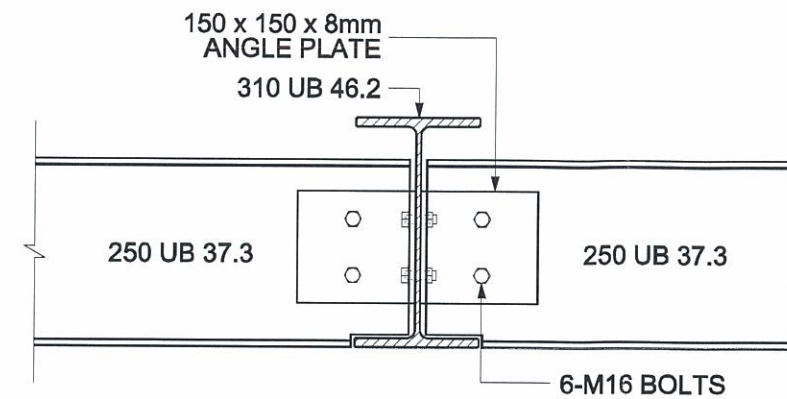
STRUCTURAL STEEL DETAIL PLAN

CLIENT	J & C MANTILLA				A3
LOCATION	LOT 6 PADDOCK CLOSE, ELERMORE VALE				
DRAWN	V.K	SCALE	1:10	SHEET No.	7
ISSUE	A	DATE	27/11/14	JOB No.	63312PB

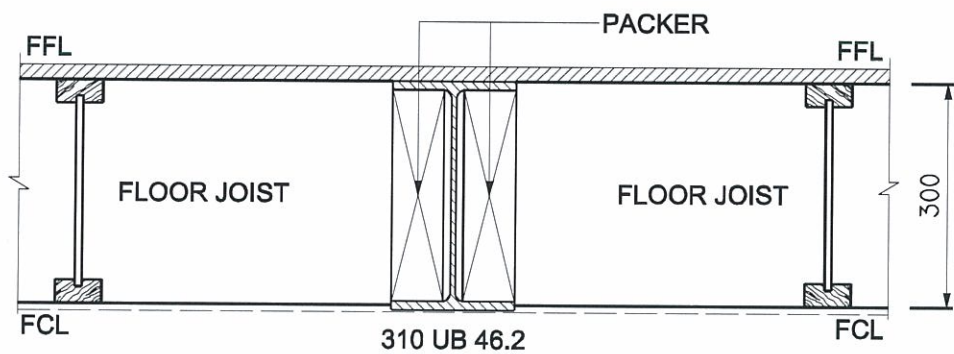


SECTION 2-2
SCALE 1:10

MA



DETAIL A
SCALE 1:10



SECTION 3-3
SCALE 1:10

MA



Rafeletos Zanuttini
Consulting Engineers

ABN: 35 079 047 466
PO BOX 91 KINGSGROVE NSW 1480
Level 2, 103 VANESSA ST KINGSGROVE NSW 2208
Ph: (02) 9554 9311 Fax: (02)9554 9764
Email: admin@rafzan.com.au

PTY LTD

B.E., M.I.E. AUST.



TULLIPAN HOMES PTY LTD

Ph: 02 4353 8644 Suite 10, 1 Packer Dr
Fax: 02 4353 8655 Tuggerah Business Park
Tuggerah NSW 2259
www.tullipanhomes.com.au PO Box 5148
www.tullipanhomes.com.au COTTARKEY NSW 2281

STRUCTURAL STEEL DETAIL PLAN

CLIENT J & C MANTILLA
LOCATION LOT 6 PADDOCK CLOSE, ELERMORE VALE

A3

DRAWN	V.K	SCALE	1:10	SHEET No.	8
ISSUE	A	DATE	27/11/14	JOB No.	63312PB

REFERENCE