

GENERAL NOTES

- G1 The builder shall be responsible for maintaining the stability of the structure until its completion and shall ensure that no part of the structure is overstressed by excessive loading.
- G2 All discrepancies shall be referred to the architect / builder for decisions before proceeding with the work.
- G3 Do not scale drawings. All dimensions are in mm.
- G4 All materials and workmanship shall be in accordance with the current codes of practice.
 AS 3600 Concrete Structures AS 4671 Steel Reinforcing Materials
 AS 1289 Methods of testing soils for engineering purposes AS 3610 Formwork for Concrete
 AS 1640 Brickwork code AS 3700 Masonry Structures
 AS 3798 Guidelines for earthworks for commercial and residential developments
- F1 All foundations shall be founded into firm natural ground and approved by the engineer/building inspector for safe bearing capacity before concrete placement. Footings are designed for a bearing capacity of 125kPa.
- F2 Unless otherwise approved by the engineer the angle of influence of excavations near footings shall be less than 30 degrees to the horizontal.
- F3 All walls and columns shall be concentric with supporting foundations unless noted otherwise on drawings.
- F4 The subgrade below base courses for slabs shall be suitable material compacted to 98% of maximum dry density determined by test AS 1289-E 11.
- F5 All free draining granular fill material behind retaining walls shall be of durable particles conforming to the following gradings:

AS sieve size	% passing
53 mm	100
9.5 mm	45 - 100
2.36 mm	20 - 75
600 um	10 - 50
75 um	< 15

CONCRETE

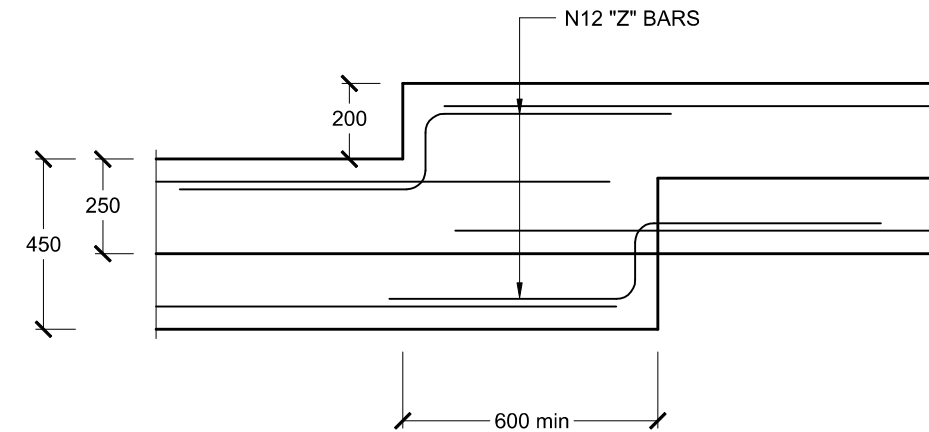
- C1 All concrete shall have the following characteristic compressive strengths and cover:
 Footings, slabs on grade: $f_c = 20\text{MPa}$ and 30 mm cover (internal), 50mm cover (ground).
- C2 Cement shall be type GP or GB to AS 3972.
- C3 No penetrations, chases or embeddings of pipes other than those shown on the drawings shall be made without prior approval of the engineer.
- C4 Maximum drying shrinkage strain measured in accordance with AS1012 Part 13 shall not exceed 650x10-6 at 8 weeks.

REINFORCEMENT

- R1 All reinforcement shall conform to AS 4671 and be of grade 500 MPa.
- R2 No reinforcement splices shall be made other than those shown on the structural drawings. Minimum lap for fabric shall be one mesh plus 25 mm.
- R3 Welding of reinforcement is not permitted unless approved by the engineer.

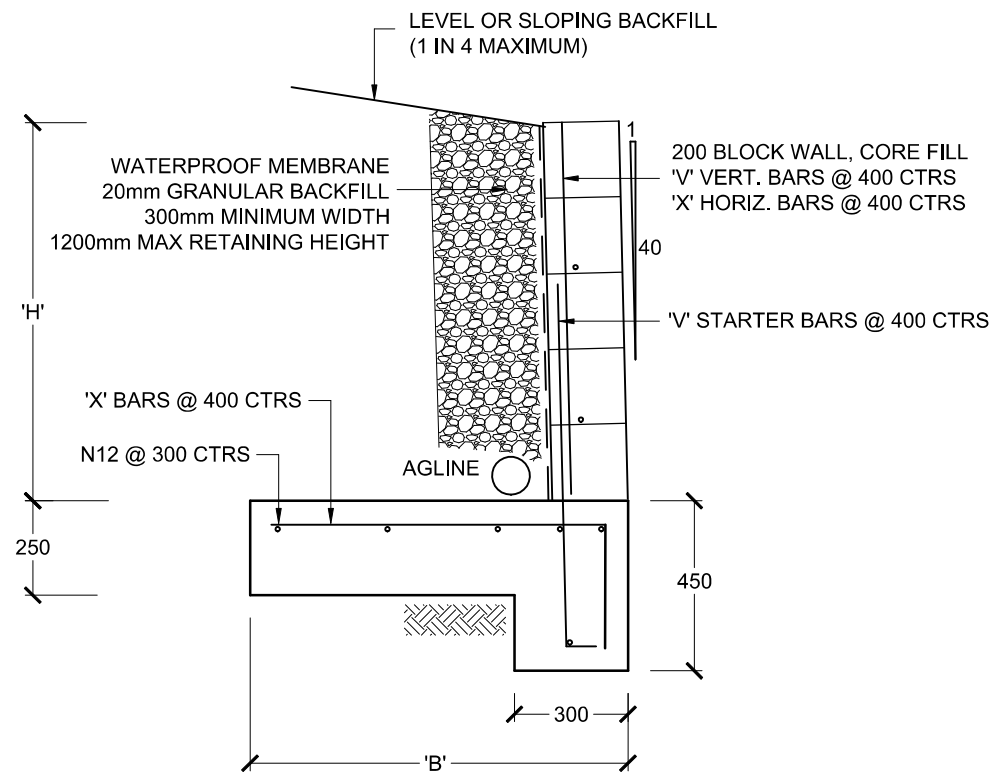
MASONRY

- LB1 Masonry strength and mortar type shall comply with AS 1500 and AS A123.
 Brickwork shall have a minimum $f_{uc} = 45\text{MPa}$; blockwork $f_{uc} = 12\text{MPa}$
- LB2 Mortar to be of type M4 with the following composition:
 1.0 (cement) : 0.5 (lime) : 4.5 (fine aggregate) and compressive strength of $F_c = 12\text{MPa}$
- LB3 Cavities shall be filled with grout having nominal composition of:
 1.0 (cement) : 3 (sand) : 2 (10 mm coarse aggregate) and slump = 230 mm and compressive strength $f_c = 12\text{MPa}$.
- CJ 10 mm control joints are to be provided to masonry walls at 6 m centres maximum. The gap is to be filled with compressible waterproof sealant.



FOOTING STEP DETAIL

SCALE 1:20



TYPE A - RETAINING WALL SECTION 0.8 m - 1.8 m HEIGHT

SCALE 1:20

H (mm) max	600	800	1000	1200	1400	1600	1800
B (mm)	600	800	1000	1100	1200	1300	1400
X (mm)	N12	N12	N12	N16	N16	N16	N16
V (mm)	N12	N12	N12	N16	N16	N16	N20

LAP N12 BARS 500 mm MINIMUM
 LAP N16 BARS 600 mm MINIMUM
 LAP N20 BARS 700 mm MINIMUM

**RETAINING WALL SECTION TO BE READ IN
 CONJUNCTION WITH DALAIS DESIGN
 CC PLANS JOB NO 13RN376 DATED 27/7/2015**

ISSUED FOR COMMENT ONLY

ISSUE	AMENDMENT	DATE
BUILDING DESIGNER DALAIS DESIGNS		
gh consulting Consulting Structural Engineer G. Annette Henriksen MIEAust, CPEng, NPER 1256649 Unit 2, 396 Pacific Hwy Belmont 2280 NSW Telephone (02) 49453811 Facsimile (02) 49453200		
PROJECT ADDRESS LOT 6 PADDOCK CLOSE, ELERMORE VALE NSW 2287		
CLIENT DEZINGA LANDSCAPES		
TITLE RETAINING WALL SECTION		
DRAWING NO/REV S01	SCALE 1:20 (A3)	
PROJECT NO 15 522	DATE 4 SEPTEMBER 2015	
DRAWN GAH	APPROVED <i>Annette Henriksen</i> ANNETTE HENRIKSEN	